

Ceiling Flush Mount

52012S
INSTALLATION SHEET

START FROM HERE

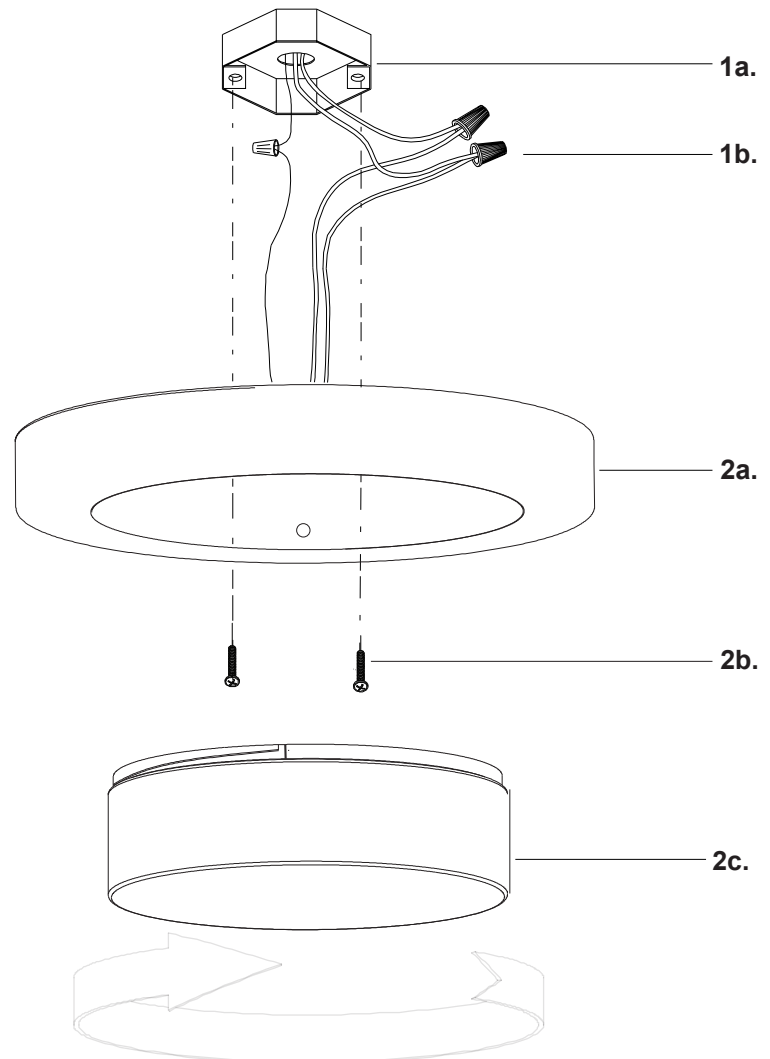
- Make sure power is completely off at the fuse box.
- Have your fixture installed by a qualified licensed electrician
- Prepare everything in a clear area.
- Wear gloves at all times during this installation.
- Read instructions carefully before you start assembly.
- Keep this instruction sheet for future reference.

Technical Support: 1-877-452-6858

Please Note:

- All Kuzco LED fixtures come with pre-wired LED module(s).
- Unless instructed to do so, please do not touch any part of the LED module(s) as any unnecessary contact with the module could cause permanent damage.
- For dimming, an ELV (Electronic Low Voltage) type of dimmer is required.

- 1.** Remove the fixture from its original packaging.
- 2.** Before connecting the fixture to the junction box first attach all wiring (**1b**) with the provided marrets (white to white "N", black to black "L", ground to ground "G"). Align the mounting screws (**2b**) through the holes on the back of the canopy (**2a**) and in a clockwise direction thread screws (**2b**) until the fixture is secured to the ceiling.
- 3.** Install the shade cover (**2c**) by placing it into the canopy and turn clockwise until secure. *(do not over tighten). Lastly, place in your A19 bulbs.*
- 4.** You have now completed the installation of your fixture, enjoy.



KUZCO
LIGHTING

19054 28th Avenue Surrey, BC Canada V3S 6M3
T: 604 538 7162 TF: 1-855 85 KUZCO F: 604 538 7196
W: kuzcolighting.com
20151217